



Table of Contents:

Overview..... Page 1
Hand Mitt..... Page 2
OR Clamp..... Page 2
Assembly..... Page 3
Positioning..... Page 4
Components.....Page 5

**FIRST ASSIST™
SHOULDER AND ELBOW
POSITIONING SYSTEM**

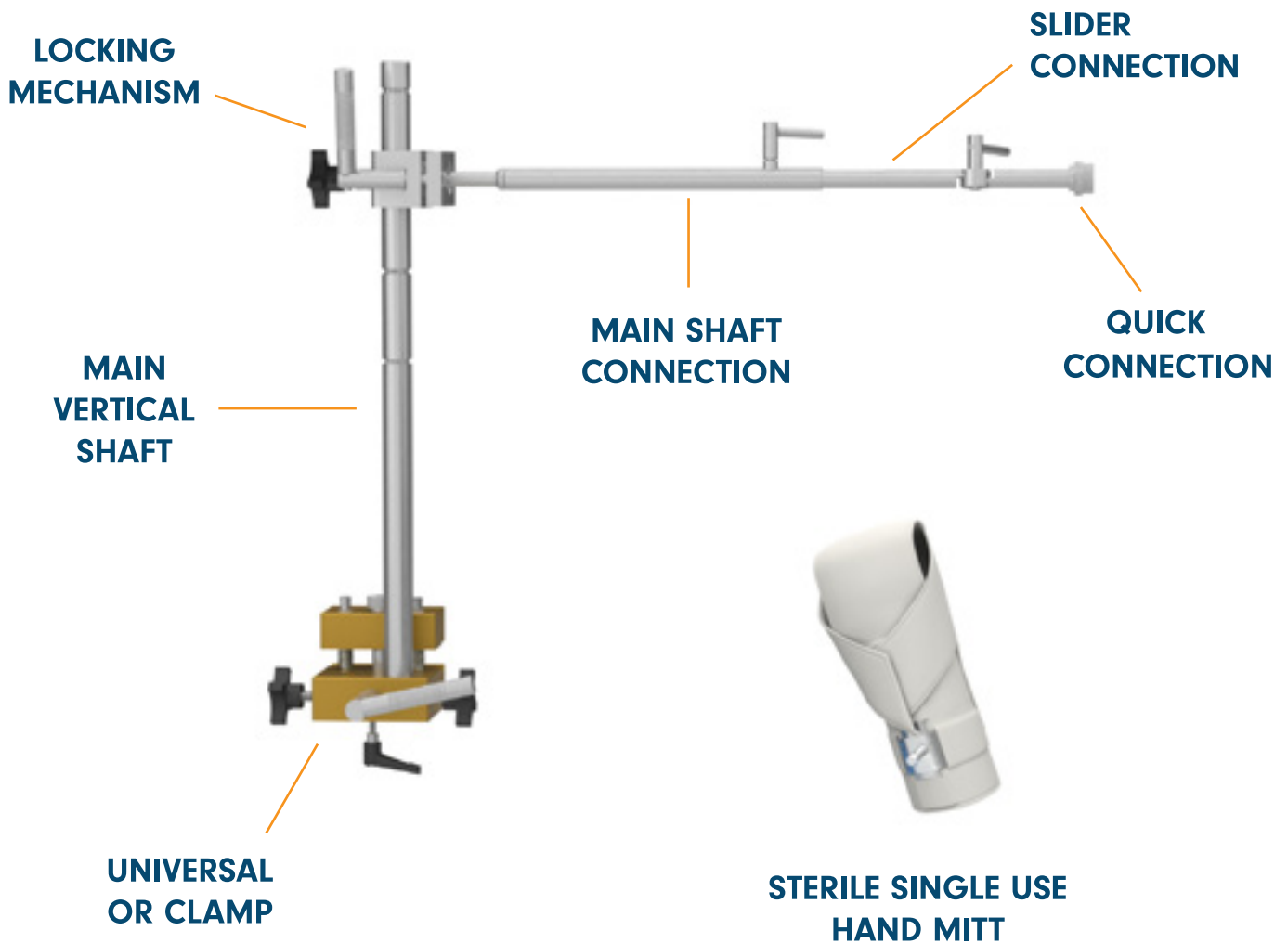
VERSION 1.1

OVERVIEW

The First Assist™ safely secures the patient's arm in the optimal positions for any open or arthroscopic elbow procedure, as well as shoulder procedures performed in the beach chair position.

The patented Universal Clamp allows the First Assist to securely attach to any operating room table.

The Sterile Hand Mitt comfortably secures the patient's arm to the First Assist and can be manipulated to any position interoperatively, without the use of coverings or sterile draping.



HAND MITT APPLICATION



Wrap forearm flap snugly around the hand. Mold malleable inserts around forearm.

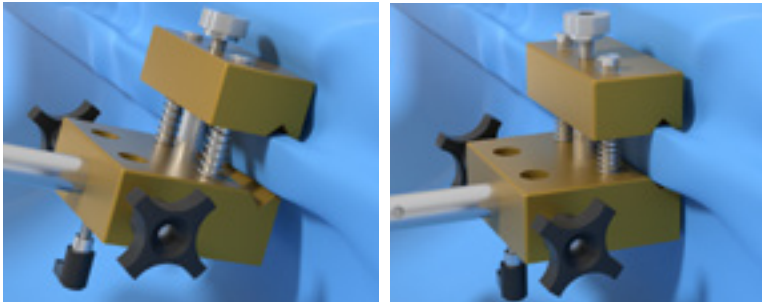
Position hand into first position. Pull center flap over the dorsal aspect of the hand.

Side flaps are pulled and secured around the base of the hand.

WARNING: RISK OF INJURY

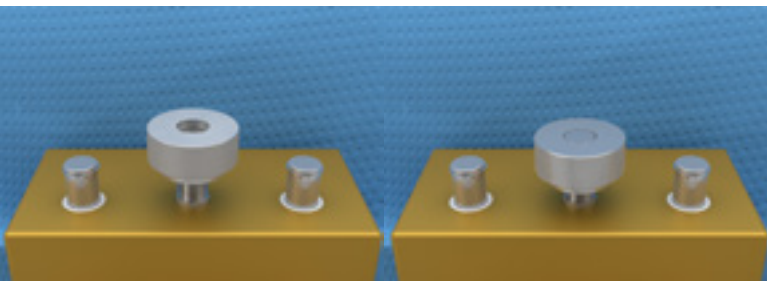
If the hand mitt is not wrapped snugly around the wrist, the patient's hand may slip out of the mitt.

OR CLAMP ASSEMBLY INSTRUCTIONS

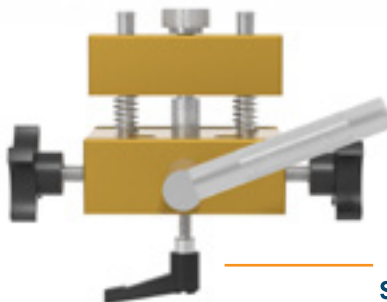


The OR Clamp is secured onto the railing over the sterile drape. Start by aligning the top V-block, then rotate the bottom of the clamp toward the OR table.

Squeeze the Clamp together to lightly grasp the OR table's railing.



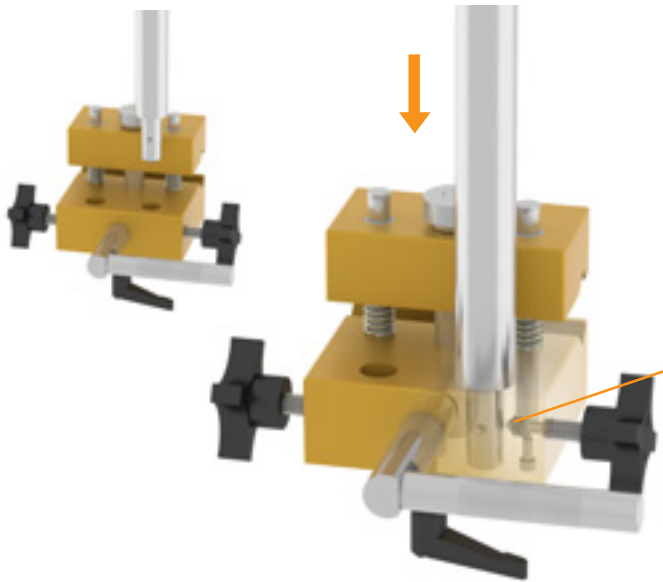
With typical draping, the "Quick-Lock" Nut is adjusted to sit flush to the top of the adjustment screw.



OPTIONAL SAFETY LOCK

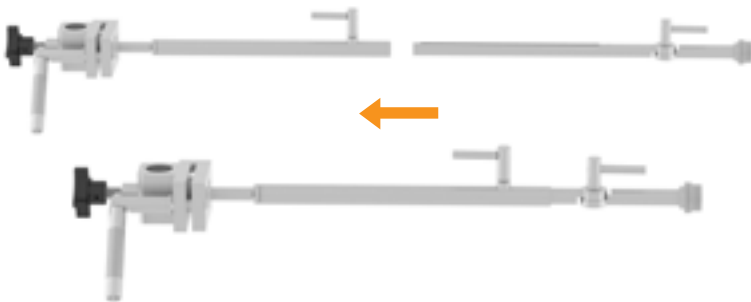
The handle is rotated downward to firmly lock the OR Clamp into place.

The optional safety lock should be used to prevent inadvertent release of the locking handle.



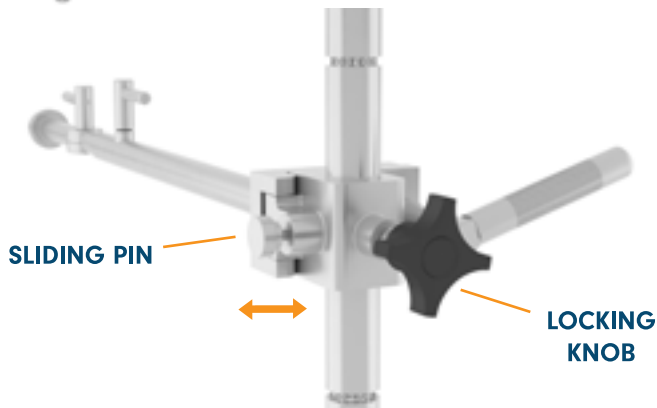
Introduce the Main Shaft vertical component by locking into either of the two OR Clamp slots according to surgeon's preference.

Lock into one of the four locking positions on the main vertical shaft.



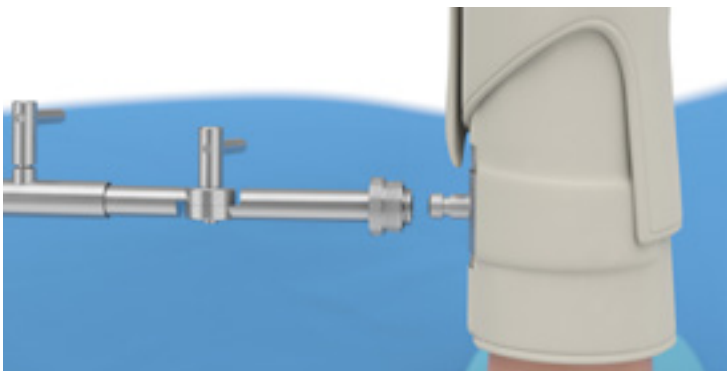
Pre-assemble the Main shaft and slider connection

In a semi-tight position, the slider is easily adjusted and can then be locked into final position.



Slide onto the Main vertical shaft by pulling the spring loaded quick location pin for rapid height selection along the vertical shaft.

After the optimal height is determined, the locking knob secures the main shaft connection in place.



Once the arm position has been determined, attach the Arm Support Mitt using the easy on/easy off quick connect.

ELBOW SUPINE

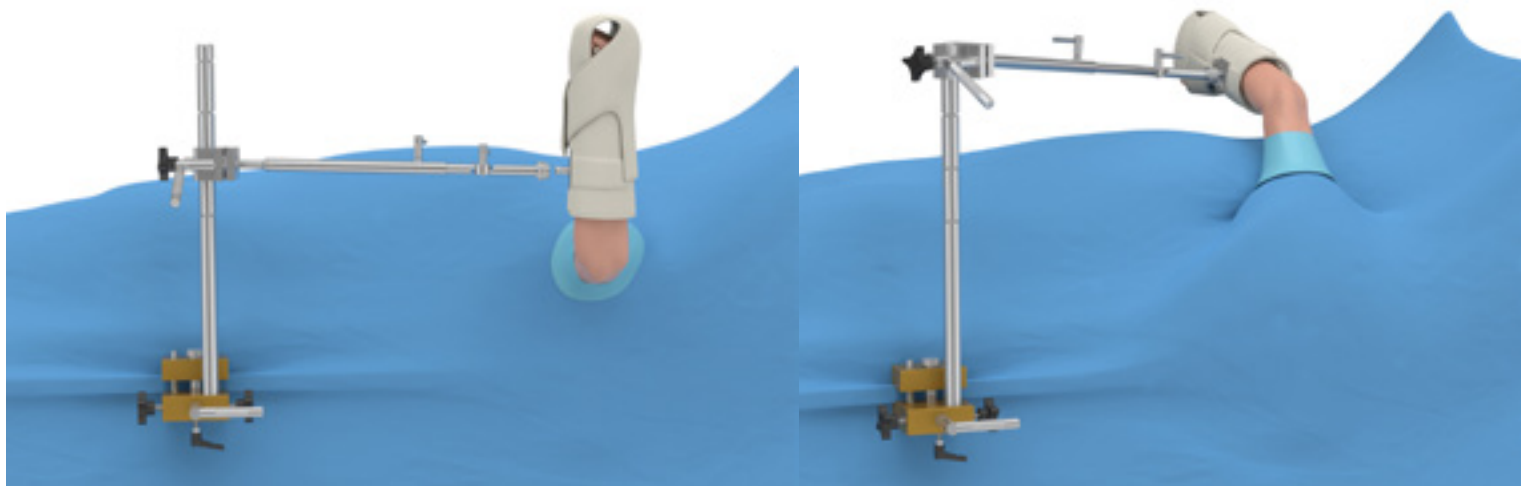


TABLE POSITION OF OR CLAMP

SHOULDER BEACH CHAIR

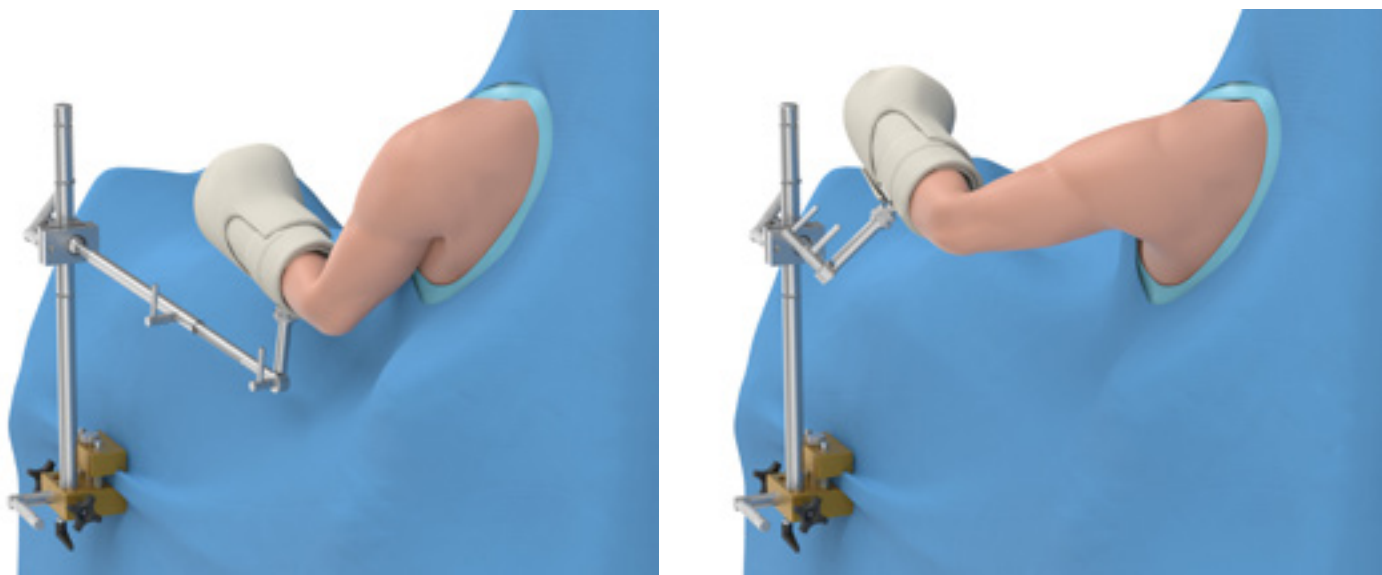
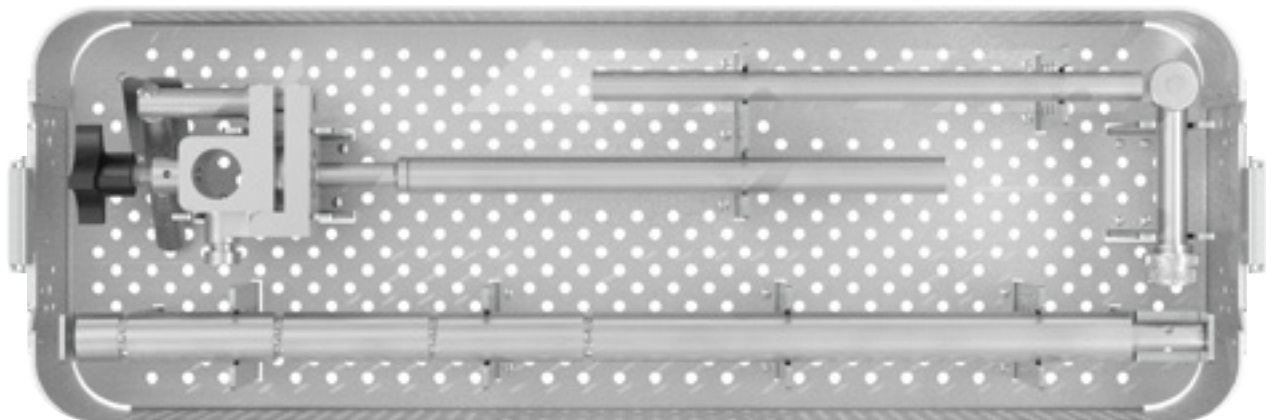
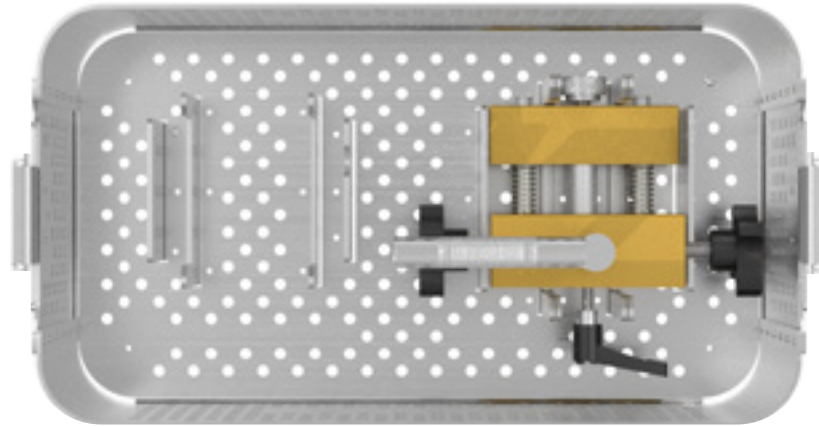


TABLE POSITION OF OR CLAMP

STERILIZATION TRAYS



PATENTED SYSTEM

S2S SURGICAL LLC, AS THE MANUFACTURER OF THIS DEVICE, DOES NOT PRACTICE MEDICINE AND DOES NOT RECOMMEND THIS OR ANY OTHER SURGICAL TECHNIQUE ON A SPECIFIC PATIENT. THE SURGEON WHO PERFORMS ANY PROCEDURE IS RESPONSIBLE FOR DETERMINING AND UTILIZING THE APPROPRIATE TECHNIQUE FOR THE SPECIFIC PROCEDURE.

PHONE: 866-815-0604
WWW.S2SSURGICAL.COM