



**A VERSATILE SOLUTION FOR  
COMMON WRIST PROCEDURES**

**Table of Contents:**

Overview.....Page 1  
OR Clamp..... Page 2  
Table Adapter..... Page 2  
Horizontal Position..... Page 3  
Vertical Position..... Page 4  
Positioning..... Page 5  
Sterilization Trays..... Page 6

## A VERSATILE SOLUTION FOR COMMON WRIST PROCEDURES

The versatile S2S Wrist Table™ assists in the precise anatomic reduction and repair of wrist fractures (distal radius & scaphoid), and allows optimal positioning for wrist arthroscopy procedures.



### BENEFITS OF THE S2S WRIST TABLE™

- Simple assembly
- All components sterile
- Reproducible anatomic fracture reduction
- Minimizes radiation exposure
- Precise and adaptable positioning for wrist arthroscopy.

### THREE DIMENSIONAL

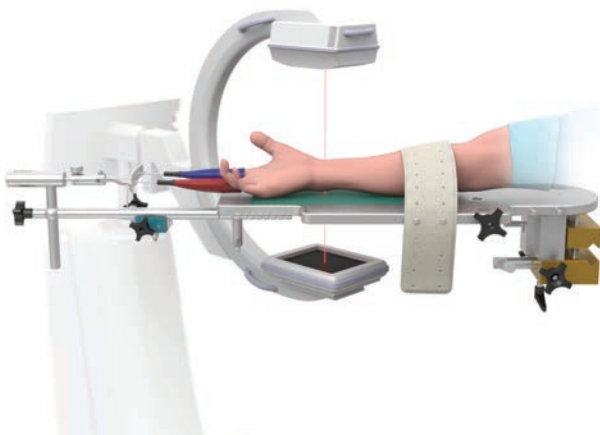
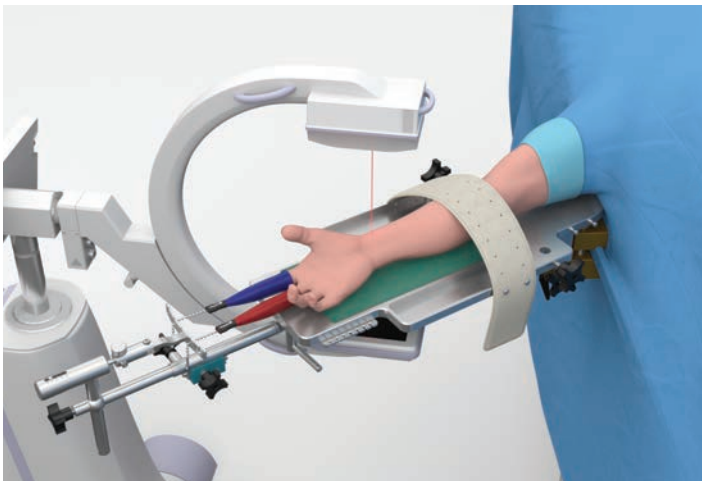
The S2S Surgical Wrist Table™ incorporates the three-dimensional adjustments necessary to precisely reposition the fracture fragments in correct anatomical alignment. The versatile device allows anatomic reduction and secure positioning of fractures to the distal radius, mid-shaft and distal radial shaft fractures, carpal fractures, and SL Ligament repairs.

### DESIGNED BY SURGEONS

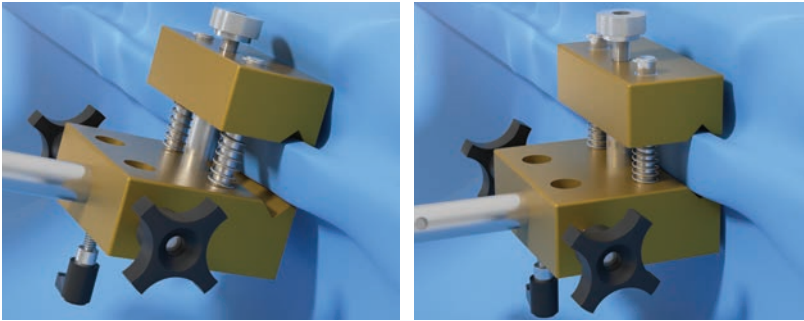
The unique design of the Wrist Table™ with its radiolucent plate allows the C-arm to be positioned perpendicular to the Wrist Table and the patient's arm, requiring minimal adjustment throughout the procedure. The arm can be manipulated to capture AP & Lateral images without moving the C-arm.

### UNIVERSAL OR CLAMP

The patented Universal Clamp allows the S2S Wrist Table™ to be secured to any OR table. The vertical component allows precise and stable wrist arthroscopy.

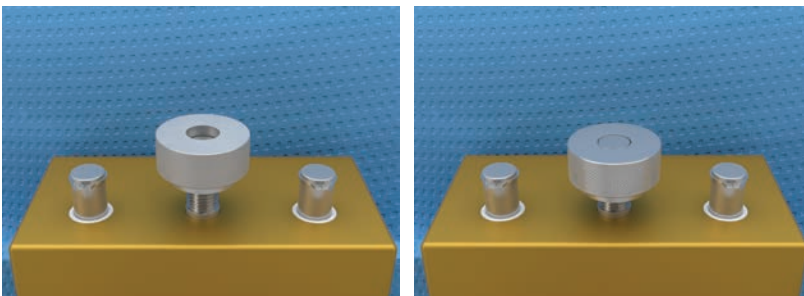


## OR CLAMP ASSEMBLY INSTRUCTIONS

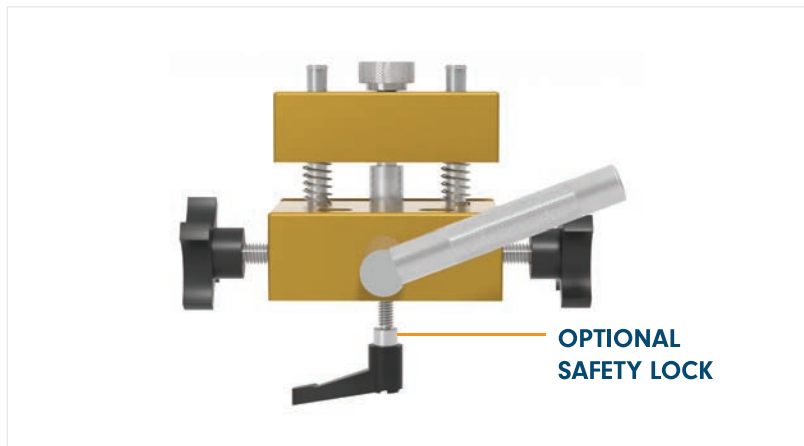


The OR Clamp is secured onto the railing over the sterile drape. Start by aligning the top V-block, then rotate the bottom of the clamp toward the OR table.

Squeeze the Clamp together to lightly grasp the OR table's railing.



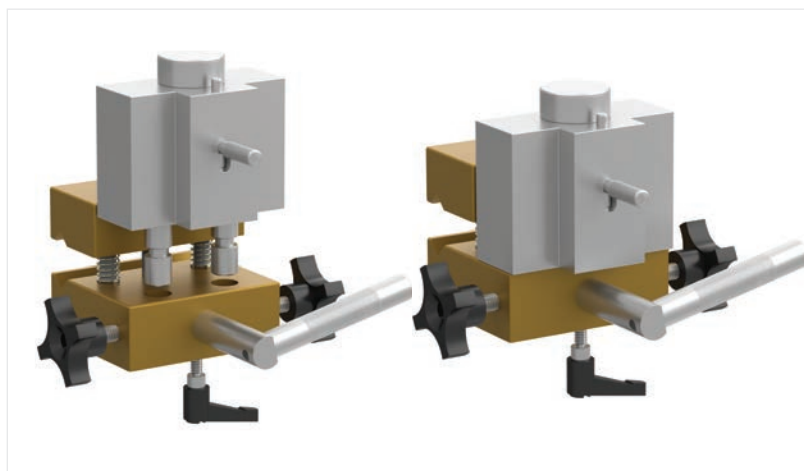
With typical draping, the "Quick-Lock" Nut is adjusted to sit flush to the top of the adjustment screw.



The handle is rotated downward to firmly lock the OR Clamp into place.

The optional safety lock can be used to prevent inadvertent release of the locking handle.

## TABLE ADAPTER ASSEMBLY INSTRUCTIONS



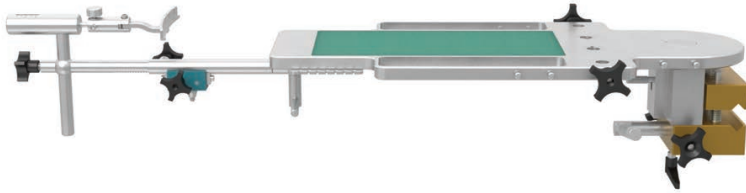
### INSERT

Insert the Table Adapter into both OR Clamp locking slots.

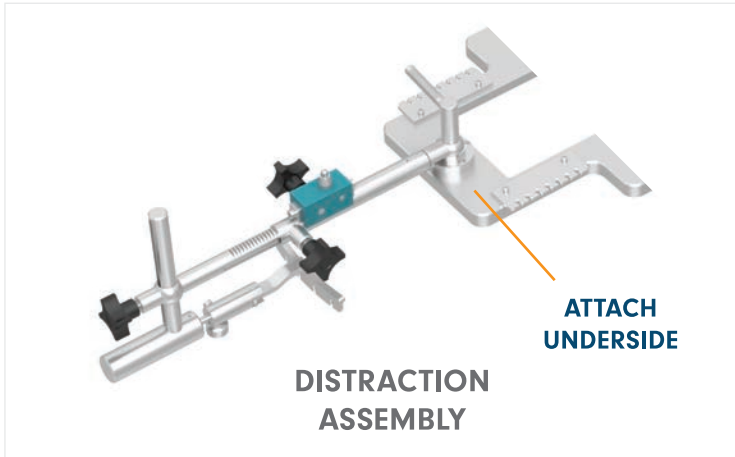
### TIGHTEN

Tighten the OR Clamp locking knobs to secure the Table Adapter into place.

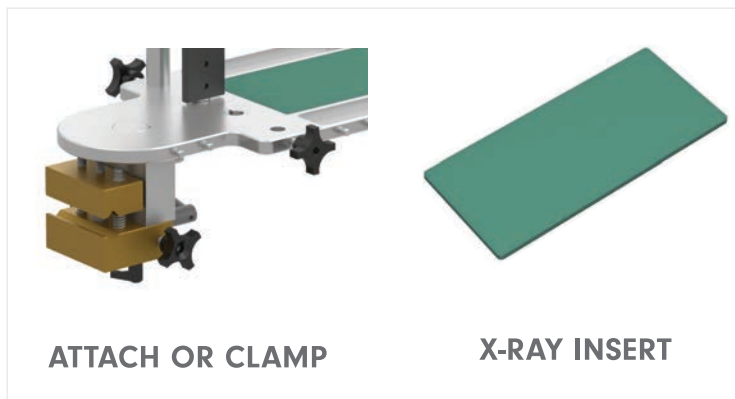
## HORIZONTAL POSITION



When using the Wrist Table in the horizontal position...

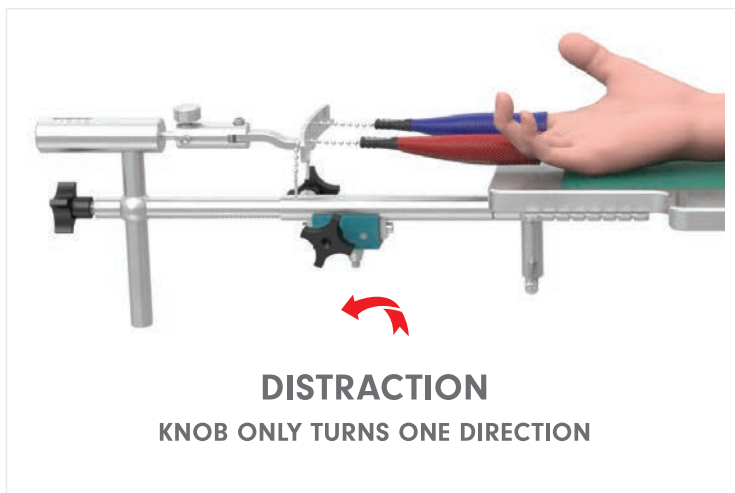


Preassemble the Distraction Arm by attaching it to the radial locking assembly on the underside of the Wrist Table™.



Attach the Wrist Table™ to the Table Adapter and positioned by the spring-loaded release.

Place the radiolucent insert into the table bed.



Distraction knob only works one way. To distract, turn knob as shown. (Red Rotating Arrow)

To release distraction, surgeon must simultaneously control distraction knob while pressing the clutch to release gear mechanism.

## VERTICAL POSITION

When using the Wrist Table in the vertical position...

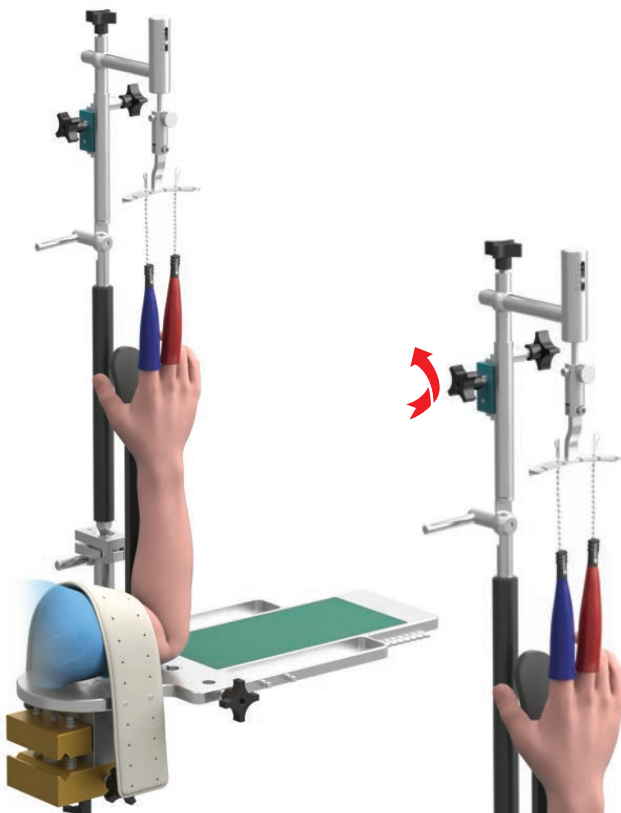
The Wrist Table is placed onto the Table Adapter and positioned by the spring-loaded feature.

The Vertical Post and Distraction Assembly should be pre-assembled.

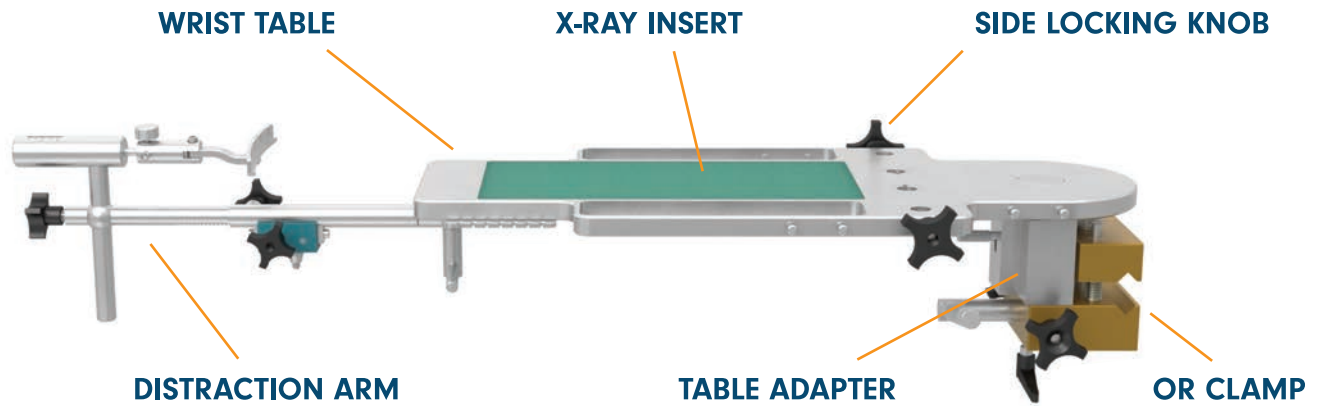
The patient's arm is then secured to the Wrist Table™ with the Comfort Fit Foam Strap. The strap is attached to the multi-station pegs on both sides of the Wrist Table™ for a firm fit.

Distraction knob only works one way. To distract, turn knob as shown. (Red Rotating Arrow)

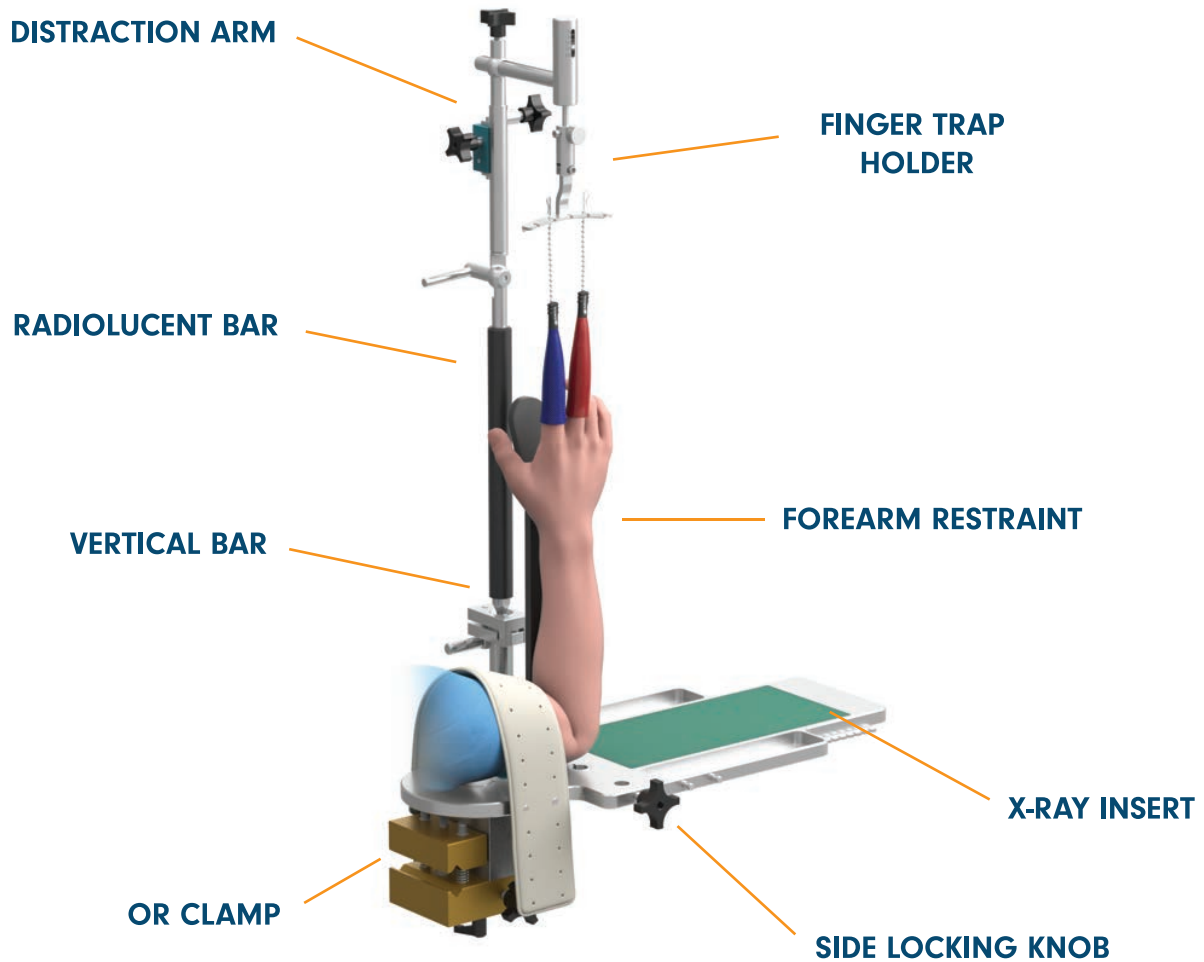
To release distraction, surgeon must simultaneously control distraction knob while pressing the clutch to release gear mechanism.



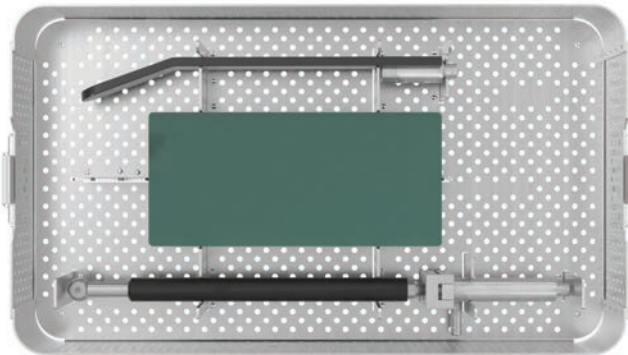
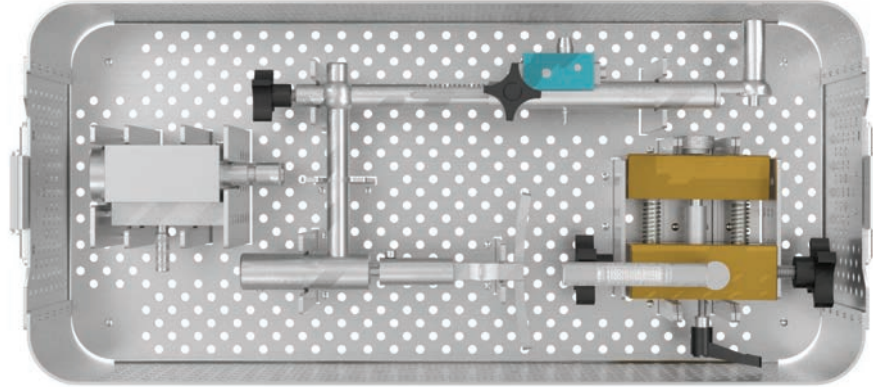
## S2S WRIST TABLE™ - WRIST FRACTURES



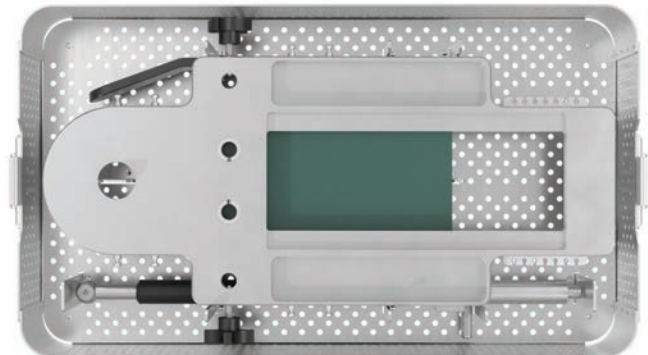
## S2S WRIST TABLE™ WRIST ARTHROSCOPY



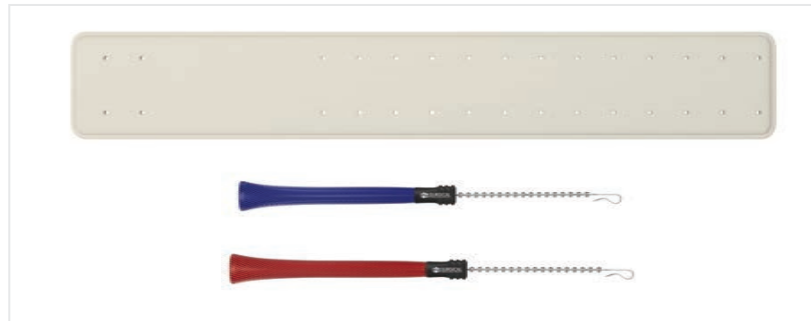
## STERILIZATION TRAYS



WITHOUT TABLE



WITH TABLE



**COMFORT FOAM STRAP**

**FINGER TRAPS**

CATALOG #30-140

**PATENTED SYSTEM**

S2S SURGICAL LLC, AS THE MANUFACTURER OF THIS DEVICE, DOES NOT PRACTICE MEDICINE AND DOES NOT RECOMMEND THIS OR ANY OTHER SURGICAL TECHNIQUE ON A SPECIFIC PATIENT. THE SURGEON WHO PERFORMS ANY PROCEDURE IS RESPONSIBLE FOR DETERMINING AND UTILIZING THE APPROPRIATE TECHNIQUE FOR THE SPECIFIC PROCEDURE.

**PHONE: 866-815-0604**

**WWW.S2SSURGICAL.COM**